

# **MLT 630-115**

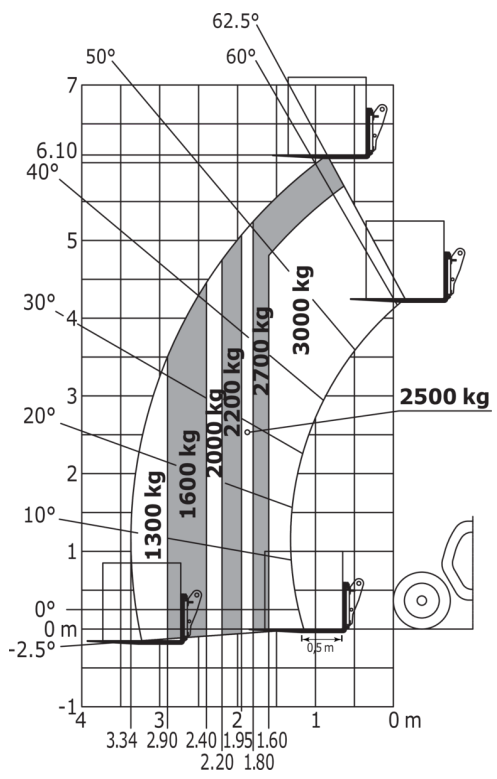
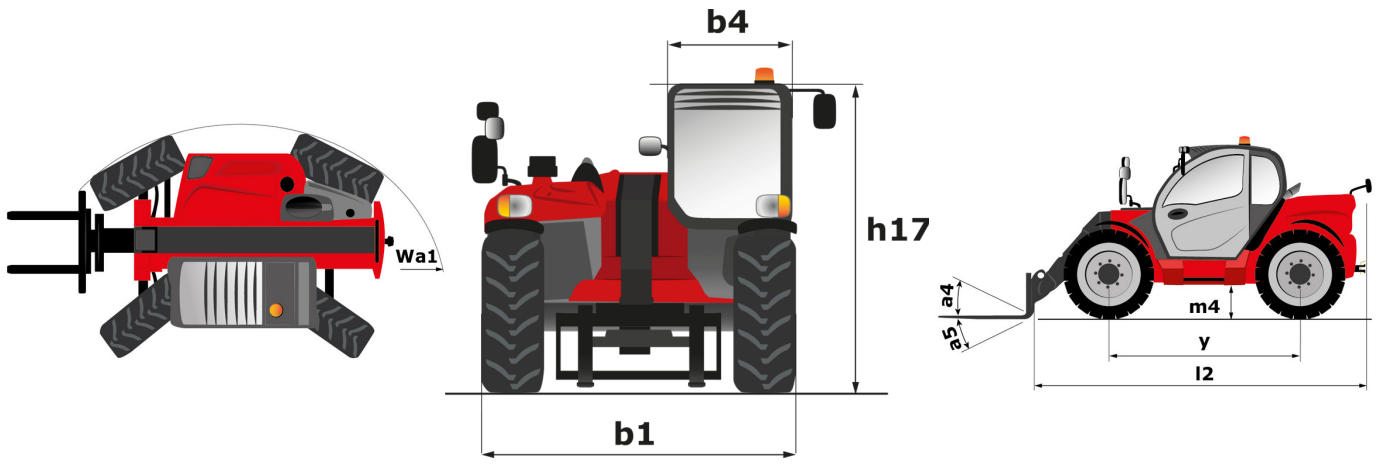
---



 **MANITOU**  
HANDLING YOUR WORLD

[Red]	[Red]	[Red]
[Grey]	[Grey]	[Grey]
[Grey]	[Grey]	[Grey]
[Red]	[Red]	[Red]
[Grey]	[Grey]	[Grey]
[Grey]	[Grey]	[Grey]
[Grey]	[Grey]	[Grey]
[Grey]	[Grey]	[Grey]
[Grey]	[Grey]	[Grey]
[Grey]	[Grey]	[Grey]
[Grey]	[Grey]	[Grey]
[Red]	[Red]	[Red]
[Grey]	[Grey]	[Grey]
[Grey]	[Grey]	[Grey]
[Red]	[Red]	[Red]
[Grey]	[Grey]	[Grey]
[Grey]	[Grey]	[Grey]
[Grey]	[Grey]	[Grey]
[Grey]	[Grey]	[Grey]
[Red]	[Red]	[Red]
[Grey]	[Grey]	[Grey]
[Grey]	[Grey]	[Grey]
[Grey]	[Grey]	[Grey]
[Red]	[Red]	[Red]
[Grey]	[Grey]	[Grey]
[Grey]	[Grey]	[Grey]
[Red]	[Red]	[Red]
[Grey]	[Grey]	[Grey]
[Grey]	[Grey]	[Grey]
[Red]	[Red]	[Red]
[Grey]	[Grey]	[Grey]

[Red]	[Red]	[Red]
[Grey]	[Grey]	[Grey]
[Grey]	[Grey]	[Grey]
[Grey]	[Grey]	[Grey]
[Grey]	[Grey]	[Grey]





 **MANITOU**  
HANDLING YOUR WORLD

